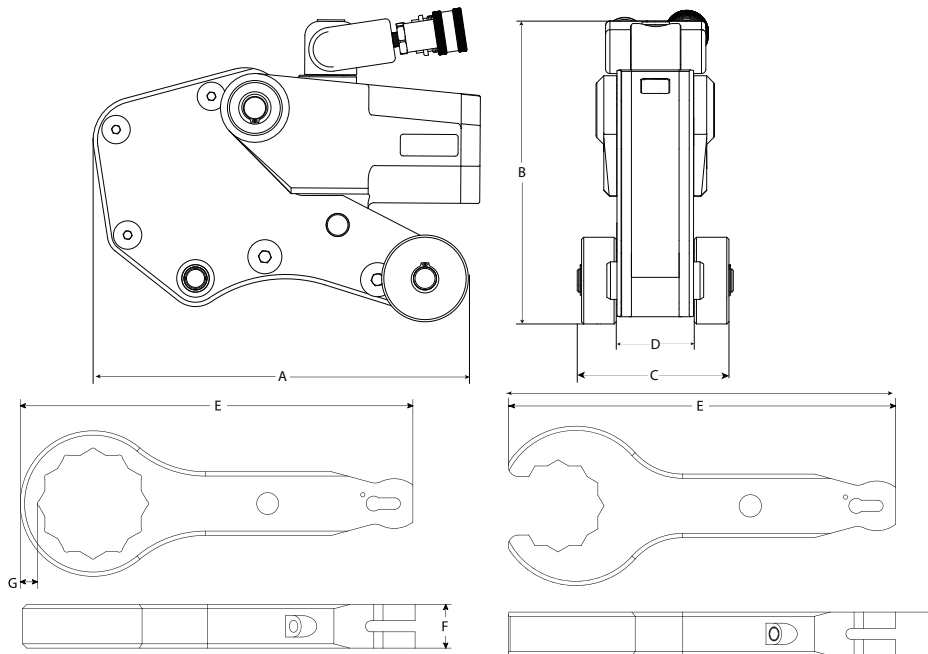
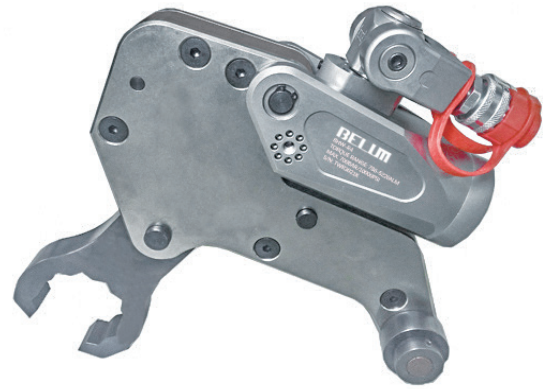


BHW-R SERIES OPEN SPANNER HYDRAULIC WRENCH

With both ring and open end spanner attachments available providing various hex sizes ranging from 3/4" to 4 5/8" AF, 19mm to 120mm AF and torque ranges from 225 to 12,875 lb.ft, 305 to 17,460 Nm, the BHW-R Ultra-Low Torque Wrench Attachment is suitable for a wide range of applications even on the most confined applications.



Model	Torque Range	Bolt Size	Drive Unit Weight	A	B	C	D	E	F	G
	N.m	s	kg	mm	mm	mm	mm	mm	mm	mm
BHW-R2	346-2318	19-60	2.2	155	129	66	32	As Fer A/F	19	7.5
BHW-R4	786-5226	36-75	3	208	168	87	42	As Fer A/F	25.4	7.5
BHW-R8	1549-11049	55-90	3.3	260	209	108	53	As Fer A/F	31.75	13
BHW-R14	2725-18165	80-120	8.2	349	239	132	64	As Fer A/F	39	17.5